

ALFRED TEVES BRAKE SYSTEMS (PTY) LTD

TECHNICAL BULLETIN

10 MARCH 2022

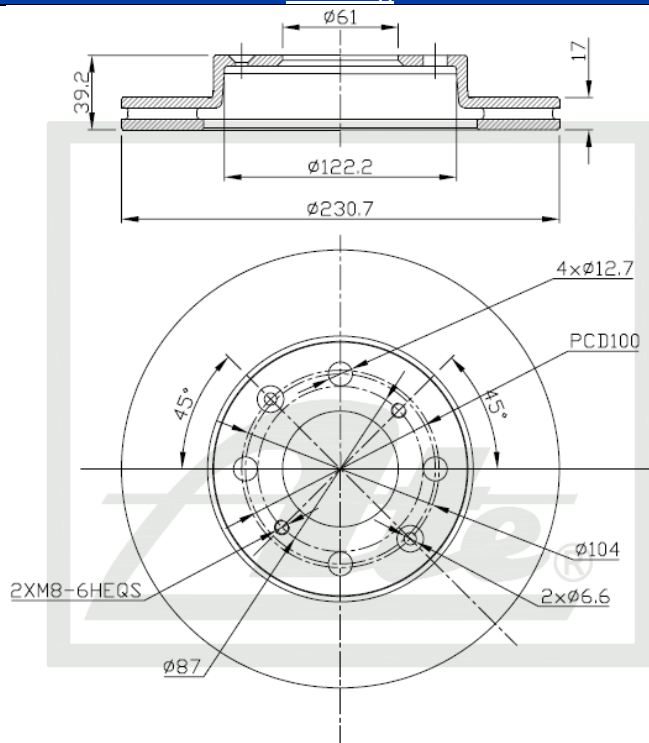


(ATE and Teves are registered trademarks of Continental Teves AG & Co oHG and/or its affiliates in Frankfurt Germany and other Countries)

117.1006

NEW PART NUMBER

Drawing



Details of New Part

Brake Disc – Front

Product Dimensions

Diameter – 230.7mm

Thickness – 17mm

Height – 39.2mm

PCD – 100mm

Spigot – 61mm

Package Dimensions

Weight – 3394g

L – 265mm

W – 250mm

H – 60mm

Barcode



117.1006



Vehicle Applications

HONDA JAZZ II (GD_, GE3, GE2) 1.3i DSi 2002-2008
 HONDA JAZZ III (GE_, GG_, GP_, ZA_) 1.3i 2008-
 HONDA JAZZ III (GE_, GG_, GP_, ZA_) 1.4i 2008-

Front Position Rear



CALL NOW TO ORDER YOUR STOCK!!!

(011) 898 1800

Picture(s) of the vehicle(s) that this part is suitable for



www.ate.co.za

"Single Minded about YOUR Safety"